



3507
Product



The telehandler 3507 - a compact allrounder

The Kramer telehandler 3507 is the ideal telehandler for various applications. The telehandler is designed to be compact, has a low overall height and a small turning radius. Despite its dimensions, it can be used in many ways thanks to a lifting height of 7 metres and 3.5 tonnes of payload. The variable drive system up to a maximum of 40 km/h, the 140 l/min load-sensing work hydraulics and intelligent driver-assist systems all ensure the 3507 telehandler operates with maximum economic efficiency. The ergonomic and functional cabin provides a stress-free working environment in this telehandler.

- 3.5 tonnes of payload and 7 metres of lift height
- Low fuel consumption and high torque (100 kW Deutz, emissions level IV)
- Variable hydrostatic transmission
- Load-sensing work hydraulics
- Compact dimensions for easy working in tight spaces



Technical specifications

Operating data

Max. stack height	7.000 mm
Max. payload (LSP 500 mm)	3.500 kg
Payload at max. stack height	2.200 kg
Stack height at max. payload	5.220 mm
Reach at max. payload	1.680 mm
Max. reach	3.760 mm
Total swing angle of tool carrier	155 °
Operating weight (without add-on equipment)	7.620 kg
Bucket capacity (standard bucket)	1 m ³
Payload (for max. range)	1.200 kg

Engine / Motor

Engine / Motor manufacturer	Deutz
Type / Model	TCD 3.6
Engine performance	100 kW
Emission standards stage	IV
Exhaust aftertreatment system	DOC+SCR (DPF optional)

Power transmission

Traction drive	Hydrostat
Travel speed	20 km/h
Travel speed optional	30 km/h
Travel speed optional	40 km/h
Differential lock	Self-locking differential 45%
Standard tires	405/70-24

Operating hydraulics

Duty pump	Load-sensing axial piston pump
Max. pump discharge capacity	140 l/min
Max. pump pressure	260 bar

Filling capacities

Fuel tank	100 l
Hydraulic oil tank	170 l

Sound emission

Noise level at the driver's ear	79 dB(A)
---------------------------------	----------

Vibrations

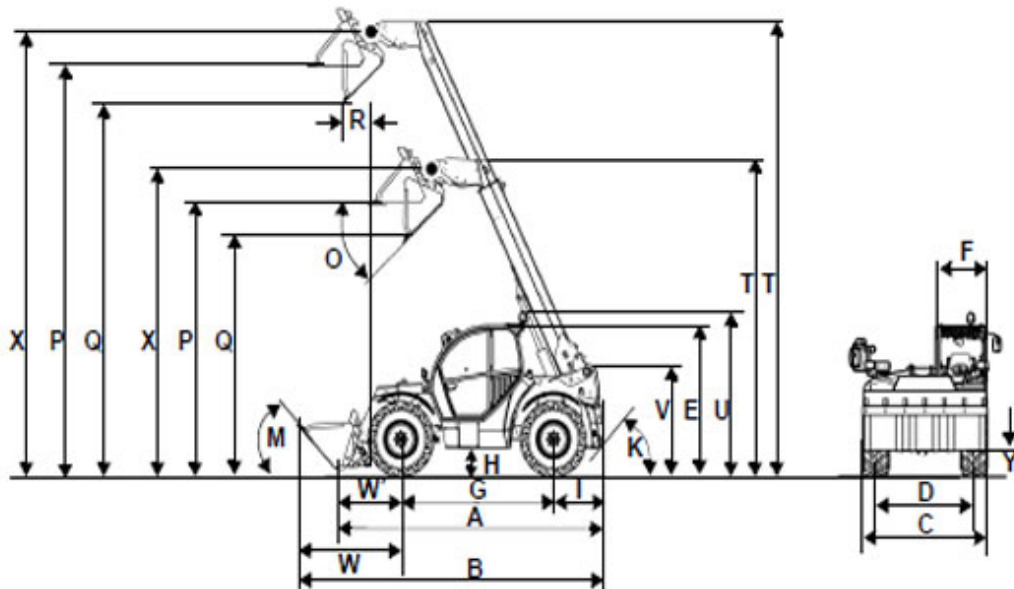


KRAMER
on the safe side

Additional technical data is available in the detailed brochure within the informational material section



Dimensions



A	Length incl. tool frame	4.880 mm
B	Length with standard bucket	5.600 mm
C	Width with standard tyres	2.280 mm
D	Track width (Spur vorne/hinten)	1.880 mm
E	Height to cabin roof	2.310 mm
F	Width (Fahrerhausbreite)	990 mm
G	Wheelbase (mittig)	2.850 mm
H	Ground clearance (unter Achse und Getriebe, Wattiefe)	415 mm
I	Center of rear axle to end of vehicle (Abstand Hinterrad zum Heck)	830 mm
K	Rear actuation angle (Böschungswinkel)	45 °



M	Tipping angle (bucket)	49 °
O	Tip-out angle (bucket)	41 °
P	Overhead loading height (with standard bucket)	4.520 mm
P	Overhead loading height (ausgefahren)	6.820 mm
Q	Dumping height (eingefahren)	4.030 mm
Q	Dumping height (ausgefahren)	6.330 mm
R	Dump reach (Mit Standardschaufel)	110 mm
T	Length (Tele Auszuglänge eingefahren)	5.255 mm
T	Length (Tele Auszuglänge ausgefahren)	7.820 mm
U	Height (Gesamthöhe mit Rundumkennleuchte)	2.540 mm
V	Height (Gesamthöhe Teleskoplagerung im Rahmen)	1.600 mm
W	Distance (Mitte Vorderrad zur Schaufelvorderkante)	1.920 mm
W	Distance (Mitte Vorderrad - Vorderkante Schnellwechselrahmen)	1.200 mm
X	Height (Schaufelbolzenhöhe eingefahren)	5.035 mm
X	Height (Schaufelbolzenhöhe ausgefahren)	7.335 mm
	Stack height	7.000 mm
	Turning radius (über Reifen)	3.840 mm

Please note

that product availability can vary from country to country. It is possible that information / products may not be available in your country. More detailed information on engine power can be found in the operator's manual; the stated power may vary due to specific operating conditions.

Subject to alterations and errors excepted. Applicable also to illustrations.

Copyright © 2017 Kramer-Werke GmbH.