



3007  
Product



### The telehandler 3007 - a compact allrounder

The Kramer telehandler 3007 is a compact all-round talent – its low overall height, small turning radius combined with a lifting height of 7 metres and 3 tonnes of payload provide outstanding versatility. A variable drive system and cleverly designed access for routine maintenance ensure easy day to day operation. The ergonomic and functional cab ensures stress-free working. The different working modes of the Smart Handling overload system offer safety and comfort.

- 3.0 tonne of payload and 7 metres lift height
- Low fuel consumption and high torque (100 kW, emissions level IV)
- Variable hydrostatic transmission
- Very spacious panoramic cab provides maximum driver comfort and superb all-round visibility
- Compact dimensions for easy working in tight spaces



Technical specifications

**Operating data**

Max. stack height	7.000 mm
Max. payload (LSP 500 mm)	3.000 kg
Payload at max. stack height	2.000 kg
Stack height at max. payload	5.500 mm
Reach at max. payload	1.780 mm
Max. reach	3.760 mm
Total swing angle of tool carrier	155 °
Operating weight (max. without add-on equipment)	7.370 kg
Bucket capacity (standard bucket)	1 m <sup>3</sup>
Payload (for max. range)	1.000 kg

**Engine / Motor**

Engine / Motor manufacturer	Deutz
Type / Model	TCD 3.6
Engine performance	100 kW
Emission standards stage	IV
Exhaust aftertreatment system	DOC +SCR (DPF optional)

**Power transmission**

Traction drive	Hydrostat
Travel speed (Serie)	20 km/h
Travel speed optional	30 km/h
Differential lock	Self-locking differential 45%
Standard tires	405/70-24

**Operating hydraulics**

Duty pump	Gear pump with LUVD
Max. pump discharge capacity	100 l/min
Max. pump pressure	260 bar

**Filling capacities**

Fuel tank	100 l
Hydraulic oil tank	170 l

**Sound emission**

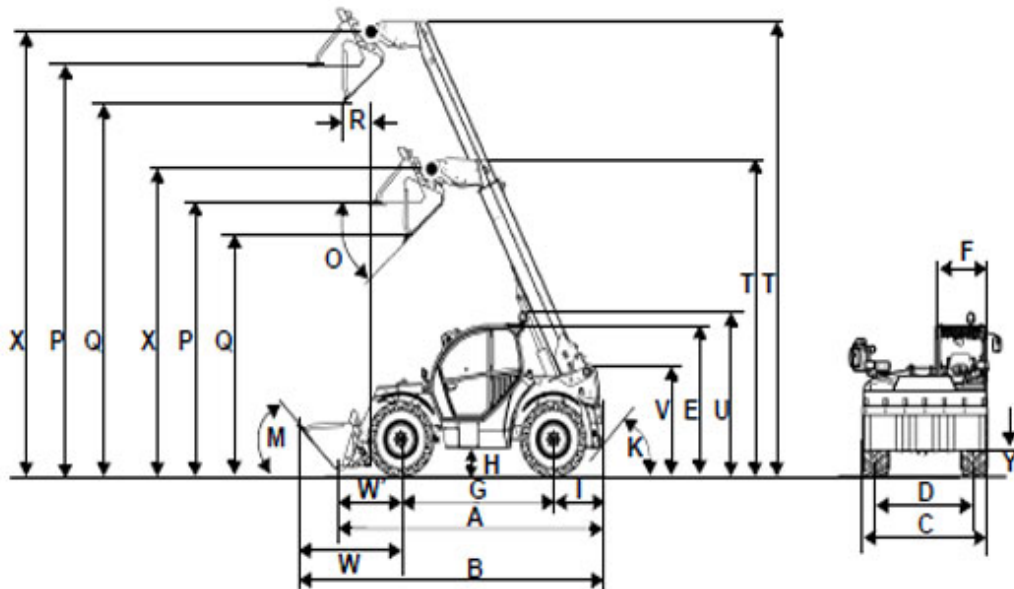
Noise level at the driver's ear	79 dB(A)
---------------------------------	----------

**Vibrations**

Additional technical data is available in the detailed brochure within the informational material section



Dimensions



A	Length incl. tool frame	4.880 mm
B	Length with standard bucket	5.600 mm
C	Width with standard tyres	2.280 mm
D	Track width (Spur vorne/hinten)	1.880 mm
E	Height to cabin roof	2.310 mm
F	Width (Fahrerhausbreite)	990 mm
G	Wheelbase (mittig)	2.850 mm
H	Ground clearance (unter Achse und Getriebe, Wattiefe)	415 mm
I	Center of rear axle to end of vehicle (Absand Hinterrad zum Heck)	830 mm
K	Rear actuation angle (Böschungswinkel)	45 °



M	Tipping angle (bucket)	49 °
O	Tip-out angle (bucket)	41 °
P	Overhead loading height (with standard bucket)	4.520 mm
P	Overhead loading height (ausgefahren)	6.820 mm
Q	Dumping height (eingefahren)	4.030 mm
Q	Dumping height (ausgefahren)	6.330 mm
R	Dump reach (mit Standardschaufel)	110 mm
T	Length (Tele Auszuglänge eingefahren)	5.255 mm
T	Length (Tele Auszuglänge ausgefahren)	7.820 mm
U	Height (Gesamthöhe mit Rundumkennleuchte)	2.540 mm
V	Height (Gesamthöhe Teleskoplagerung im Rahmen)	1.600 mm
W	Distance (Mitte Vorderrad zur Schaufelvorderkante)	1.920 mm
W	Distance (Mitte Vorderrad - Vorderkante Schnellwechselrahmen)	1.200 mm
X	Height (Schaufelbolzenhöhe eingefahren)	5.035 mm
X	Height (Schaufelbolzenhöhe ausgefahren)	7.335 mm
	Stack height	7.000 mm
	Turning radius (über Reifen)	3.840 mm

Please note

that product availability can vary from country to country. It is possible that information / products may not be available in your country. More detailed information on engine power can be found in the operator's manual; the stated power may vary due to specific operating conditions.

Subject to alterations and errors excepted. Applicable also to illustrations.

Copyright © 2017 Kramer-Werke GmbH.